



isiMotion

ISIMODUL WITH IO-EXTENSION



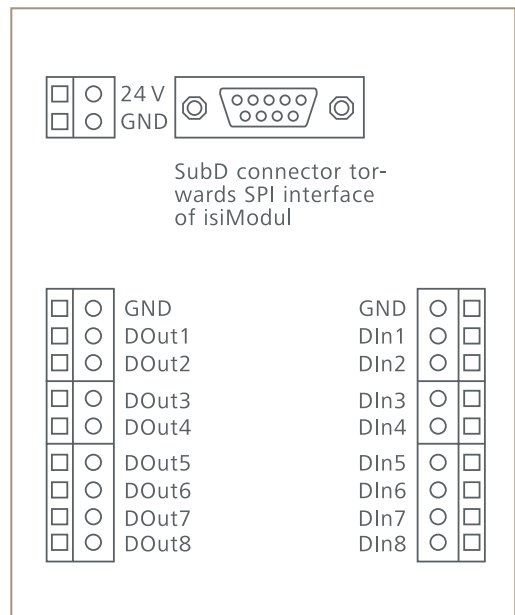
isiModul is a combination of three power stages and a contouring control; the ideal electronics for all applications with two or three axes. Several interfaces provide professional connection to the world of processes.

MORE IOs – MORE FUNCTIONS

isiModul has 4 inputs and 8 outputs (3 fast interrupt inputs). With the IO-extension the number of in/outputs is increased to 12 inputs and 16 outputs and makes simple PLC communication or BCD coding possible. The extension operates in soft real-time.

EASY INTEGRATION

The IO-extension is easily integrated by isiControl standard software. The IOs of the extension are activated by the same simple commands as those integrated in isiModul.



Easy. Not simple.

TECHNICAL DATA

INTERFACES OF ISIMODUL

- Monitoring/Setting: Ethernet TCP/IP
- Real-time operation:
 - deterministic interface CAN1(CANopen)
- 8 PLC inputs (3 fast interrupt inputs: position capture within few μ s)
- 4 PLC outputs
- 2 encoder inputs for belt drives/synchro systems
- Option interface:
 - CAN2 or free programmable encoder output for fourth drive with power stage or third encoder input
- RS485 interface
- Safe stop/restart lock of category "d" of EN 13849
- Slot for SD card to apply application code
- Connectors for 3 servo motors (linear or rotating) with feedback



IO-EXTENSION

- 8 digital inputs
- 8 digital outputs
- bus transceiver
- power supply 24 V
- soft real time (1.5 ms)
- Connection via RS232

RATED DATA ISIMODUL

	isiModul 2	isiModul 5
Rated voltage [V _{AC}]	3 x 115 V – 230 V, 40 – 65 Hz	3 x 230 V – 480 V, 45 – 65 Hz
Rated input power for S1 operation at 230/400 V [kVA]	6	14
Rated DC-link voltage [V _{DC}]	150 – 360	290 – 680
Rated output current/axis (rms \pm 3 %) [A _{rms}]	5	10
Peak output current/axis for max. 5 s (rms \pm 3 %) [A _{rms}]	10	20
Height with/without mating connectors [mm]	249/249	472/378
Width [mm]	160	153
Depth with/without mating connectors [mm]	270/225	235/235



isiMotion GmbH
 Ständlerstraße 35
 D-81549 Munich

Phone: +49(0)89 6008766-0
 Fax: +49(0)89 6008766-11
 info@isimotion.de
 www.isimotion.de

Easy. Not simple.